

# Wire Wall Bracket Installation, Maintenance, and Cleaning Guide

## INSTALLATION

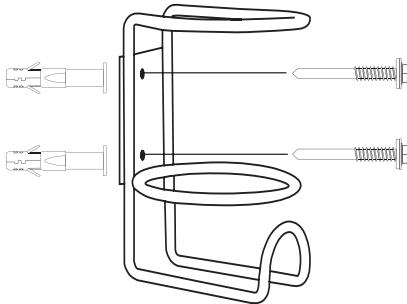
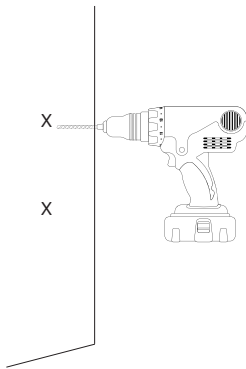
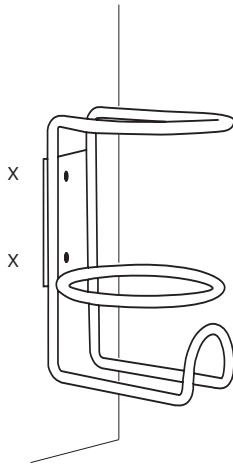
**1. Determine the surface:** Before installing the brackets, it's important to determine the type of surface you will be attaching them to. For drywall or other hollow surfaces, use wall anchors to secure the brackets. For solid surfaces, such as wood or metal, you can attach the brackets directly with screws.

**2. Position the brackets:** Decide where you want to install the brackets and mark the positions with a pencil. Use a level to ensure that the brackets are level and straight.

**3. Drill holes:** If you're attaching the brackets to solid surfaces, use a power drill with a bit slightly smaller than the screw to create pilot holes. This will make it easier to screw the brackets into place without damaging the surface. If you're using wall anchors, follow the manufacturer's instructions to create the appropriate size hole.

**4. Attach the brackets:** Once the holes are drilled, place the brackets in position and insert screws into the pilot holes. If you're using wall anchors, insert the anchors into the holes and then attach the brackets with screws. Tighten the screws using a screwdriver or wrench.

**5. Install the dispensers:** Once the brackets are securely attached, you can install your dispensers. Simply slide the dispenser into the bracket and ensure that it is firmly in place.



It's important to note that the type of surface will determine the type of installation required. For drywall or other hollow surfaces, use wall anchors to secure the brackets. For solid surfaces, such as wood or metal, you can attach the brackets directly with screws. If you're unsure about the type of surface you're working with, consult a professional or a hardware store specialist for guidance.

## SAFETY

Before installing R&R Lotion wire wall brackets, it's important to take certain safety precautions to ensure a safe and successful installation. Here are some important safety tips to keep in mind:

**Check pipes and plumbing:** Before drilling into any walls, it's important to check for pipes and plumbing behind the surface. Use a stud finder or pipe detector to locate any pipes or wires in the area where you will be installing the brackets. This will help you avoid accidentally drilling into any pipes or wires, which can cause serious damage and injury.

**Wear proper safety gear:** When using tools, such as a power drill or wrench, be sure to wear proper safety gear to protect yourself. This includes safety glasses or goggles to protect your eyes from debris, gloves to protect your hands from cuts and abrasions, and a mask to protect your lungs from dust and debris.

**Use the right tools:** Always use the appropriate tools for the job, and make sure they are in good working order. Using the wrong tool or a damaged tool can lead to accidents and injuries. Use a power drill with a sharp bit to make clean, accurate holes, and make sure the screws and other hardware are the correct size and length for the job.

**Secure the area:** Before starting any installation work, clear the area of any obstacles or debris. This will prevent tripping hazards and ensure that you have plenty of room to work safely. It's also a good idea to tape down any loose wires or cords to prevent tripping.

By following these safety tips, you can help ensure a safe and successful installation of your R&R Lotion wire wall brackets. Remember, safety should always come first, so take the time to prepare properly and use caution when working with tools and equipment.

## CLEANING

All R&R Lotion wall brackets are powder coated. Powder coating is a type of coating that is applied as a free-flowing dry powder and then cured under heat to create a hard, durable finish. This provides additional protection against wear and tear, corrosion, and fading. Here are some additional tips on how to care for and maintain R&R Lotion wall brackets.

**Regular cleaning:** To keep your R&R Lotion wall brackets clean, wipe them down with a damp cloth or sponge regularly. This will remove any dirt, dust, or other debris that may accumulate on the brackets. Avoid using harsh chemicals or abrasive materials that can scratch or damage the surface of the brackets.

## MAINTENANCE

Proper maintenance is essential to ensure that your R&R Lotion wire wall brackets remain in good condition and continue to provide reliable performance. Let's take a closer look at each of these maintenance requirements to help you keep your wire wall brackets in excellent shape.

**Inspect for damage:** Regularly inspect your R&R Lotion wall brackets for any signs of damage or wear and tear. Look for cracks, dents, or other signs of damage that may compromise the integrity of the bracket. If you notice any damage, replace the bracket immediately to avoid any accidents or injuries.

**Tighten screws:** Over time, the screws that hold your R&R Lotion wall brackets in place may loosen. To prevent the bracket from falling off the wall, check the screws periodically and tighten them if necessary. Use a screwdriver or wrench to tighten the screws, being careful not to over-tighten them.

**Use compatible products:** When using R&R Lotion wall brackets, make sure to use compatible products. The brackets are designed to hold specific dispenser bottles, so be sure to use the correct size and type of bottle. Using a bottle that is too large or too small can cause the bracket to become unstable or may damage the bottle.

**Store properly:** When not in use, store your R&R Lotion wall brackets in a dry, cool place. Avoid exposing the brackets to extreme temperatures or direct sunlight, as this can cause damage or discoloration. If you need to remove the brackets from the wall, store them in a safe place to prevent damage.

By following these simple tips, you can ensure that your R&R Lotion wall brackets remain in good condition and continue to function effectively for years to come.